

4 3 2 1

F

F

E

E

D

D

C

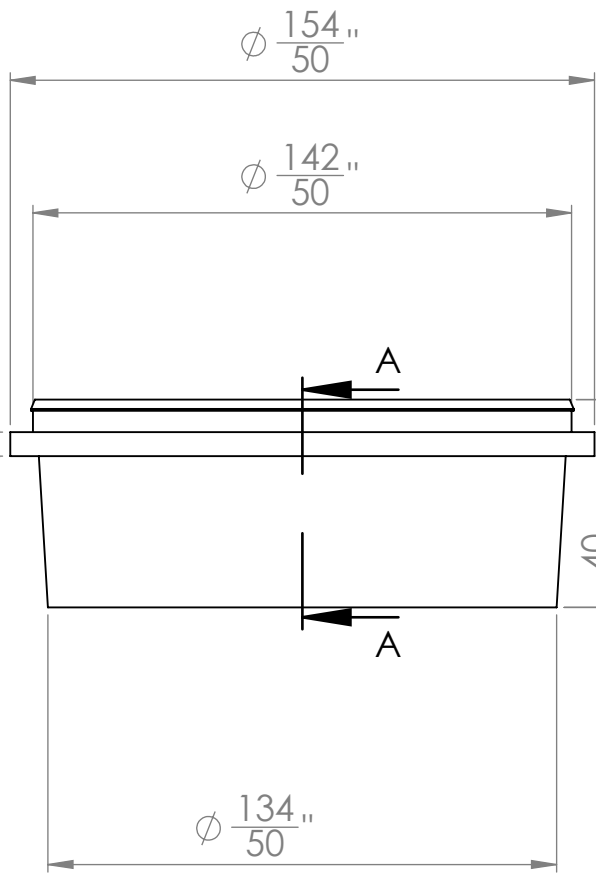
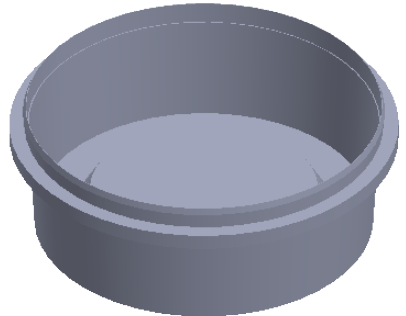
C

B

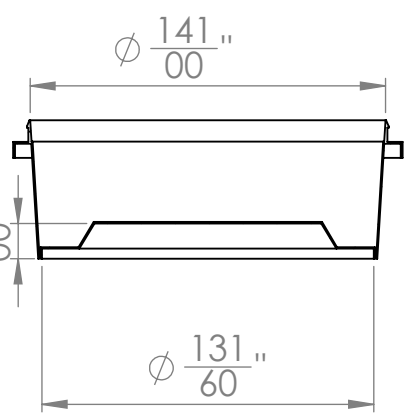
B

A

A



SECTION A-A
SCALE 1 : 3



UNLESS OTHERWISE SPECIFIED:
DIMENSIONS ARE IN MILLIMETERS
SURFACE FINISH:
TOLERANCES:
LINEAR:
ANGULAR:

FINISH:

DEBURR AND
BREAK SHARP
EDGES

DO NOT SCALE DRAWING

REVISION

	NAME	SIGNATURE	DATE
DRAWN			
CHK'D			
APPV'D			
MFG			
Q.A			

COMPANY

Aylin Plast

MATERIAL: **PP**

Volume **450 ml**

SCALE: 1:5

SHEET 1 OF 1

4 3 2 1